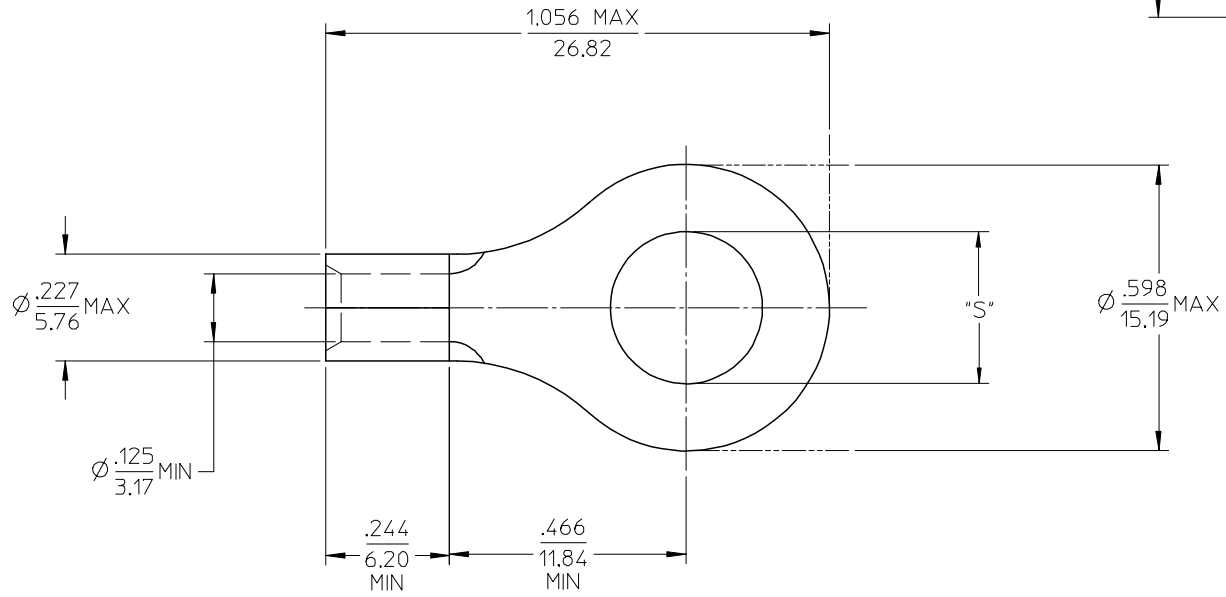
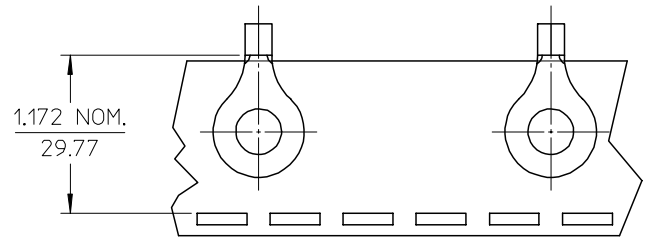


19193

MATERIAL NO. LOOSE PIECE	ENG. NO.	MATERIAL NO. TAPE MOUNTED	ENG. NO.	STUD SIZE	±.003 "S"	STOCK THICKNESS
191930132	C-340-10	191930133	C-340-10T	10	.198	.040 (1.02)
191930134	C-340-14	191930135	C-340-14T	1/4	.265	
191930141	C-340-56	191930142	C-340-56T	5/16	.328	
191930137	C-340-38	191930139	C-340-38T	3/8	.390	



SALES DRAWING

- NOTE(S):
1. MATERIAL: COPPER
  2. PLATING: ELECTROPLATE TIN
  3. ALL DIMENSIONS IN INCHES/(MM).
  4. WIRE SIZE: 12-10 AWG  
4.0-6.0 MM<sup>2</sup>

REVISED/UPDATE TO MX STDS EC NO: ETC2003-0315 DRWN:DMYRICK 2003/08/20 CHKD:HEB 2003/08/21 APPR:RDEROSS 2003/08/21	QUALITY SYMBOLS	GENERAL TOLERANCES (UNLESS SPECIFIED)	SCALE 4:1	DESIGN UNITS INCH	THIRD ANGLE PROJECTION	REVISE ON CAD ONLY																														
	DESCRIPTION ▼ = 0 ▽ = 0	<table border="1"> <thead> <tr> <th></th> <th>mm</th> <th>INCH</th> </tr> </thead> <tbody> <tr> <td>4 PLACES</td> <td>± .---</td> <td>± .---</td> </tr> <tr> <td>3 PLACES</td> <td>± .---</td> <td>± .005</td> </tr> <tr> <td>2 PLACES</td> <td>± 0.13</td> <td>± .01</td> </tr> <tr> <td>1 PLACE</td> <td>± 0.25</td> <td>± .---</td> </tr> </tbody> </table>		mm	INCH	4 PLACES	± .---	± .---	3 PLACES	± .---	± .005	2 PLACES	± 0.13	± .01	1 PLACE	± 0.25	± .---	<table border="1"> <thead> <tr> <th colspan="2">DIMENSION STYLE</th> </tr> <tr> <th>IN</th> <th>MM</th> </tr> </thead> <tbody> <tr> <td>DRAWN BY</td> <td>DATE</td> </tr> <tr> <td>DLM</td> <td>03/06/13</td> </tr> <tr> <td>CHECKED BY</td> <td>DATE</td> </tr> <tr> <td>HEB</td> <td>03/06/13</td> </tr> <tr> <td>APPROVED BY</td> <td>DATE</td> </tr> <tr> <td>RWD</td> <td>03/06/13</td> </tr> </tbody> </table>	DIMENSION STYLE		IN	MM	DRAWN BY	DATE	DLM	03/06/13	CHECKED BY	DATE	HEB	03/06/13	APPROVED BY	DATE	RWD	03/06/13	TITLE	<b>MOLEX INCORPORATED</b> RING TONGUE TERMINAL VERSAKRIMP 12-10 AWG
			mm	INCH																																
		4 PLACES	± .---	± .---																																
3 PLACES	± .---	± .005																																		
2 PLACES	± 0.13	± .01																																		
1 PLACE	± 0.25	± .---																																		
DIMENSION STYLE																																				
IN	MM																																			
DRAWN BY	DATE																																			
DLM	03/06/13																																			
CHECKED BY	DATE																																			
HEB	03/06/13																																			
APPROVED BY	DATE																																			
RWD	03/06/13																																			
DRAFT WHERE APPLICABLE	ANGULAR ±1/2°	MATERIAL NO.	DOCUMENT NO.	SHEET NO.																																
MUST REMAIN WITHIN DIMENSIONS		(SEE CHART)	SD-19193-026	1 OF 1																																
		THIS DRAWING CONTAINS INFORMATION THAT IS PROPRIETARY TO MOLEX INCORPORATED AND SHOULD NOT BE USED WITHOUT WRITTEN PERMISSION																																		